

DATA SHEET MULTIPLAY GRAVIS 1C

Text for invitation to tender | Item No: 515519404



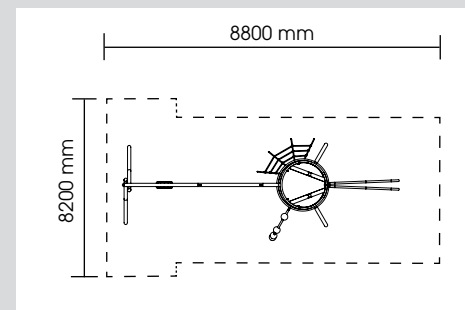
MATERIALS | SCOPE OF SUPPLY

Multiplay, nearly pre-mounted, final installation on location

tubular frame:	Stainless steel, V2A
Plateau:	metal plate covered with surface made of EPDM, 1 piece
Roof:	HPL flat laminate, 1 pc.
Climbing balls:	Stainless steel, V2A, 1 piece
balls:	EPDM, 4 pieces
Net:	Herkule rope/plastic, 1 piece
Swing chains:	Stainless steel, 2,10 m
Swing seat:	soft vulcanized rubber with steel inlay, 1 pc.
Sliding bow:	Stainless steel, V2A, 1 pieces
Foundation plates:	flat steel

TECHNICAL INFORMATION

Dimensions:	
Main dimension:	2760 x 7750 mm
Height:	3320 mm
Weight:	465 kg
capacity:	acc. to normative requirements
Dimension largest piece:	1412 x 1893 x 1910 mm
Heaviest piece:	180 kg
Max. fall height:	1500 mm
Safety surfacing area:	55,84 m ²
Required safety slabs:	57,00 m ²
Required lawn grating:	60,00 m ²
Recommended surface material:	sand, wood chip, gravel, synth. impact protection



INSTALLATION

Foundations: 6
Installation at concrete surfaces possible (special edition)

Installation according to our detailed mounting instructions, see www.stilum.com

